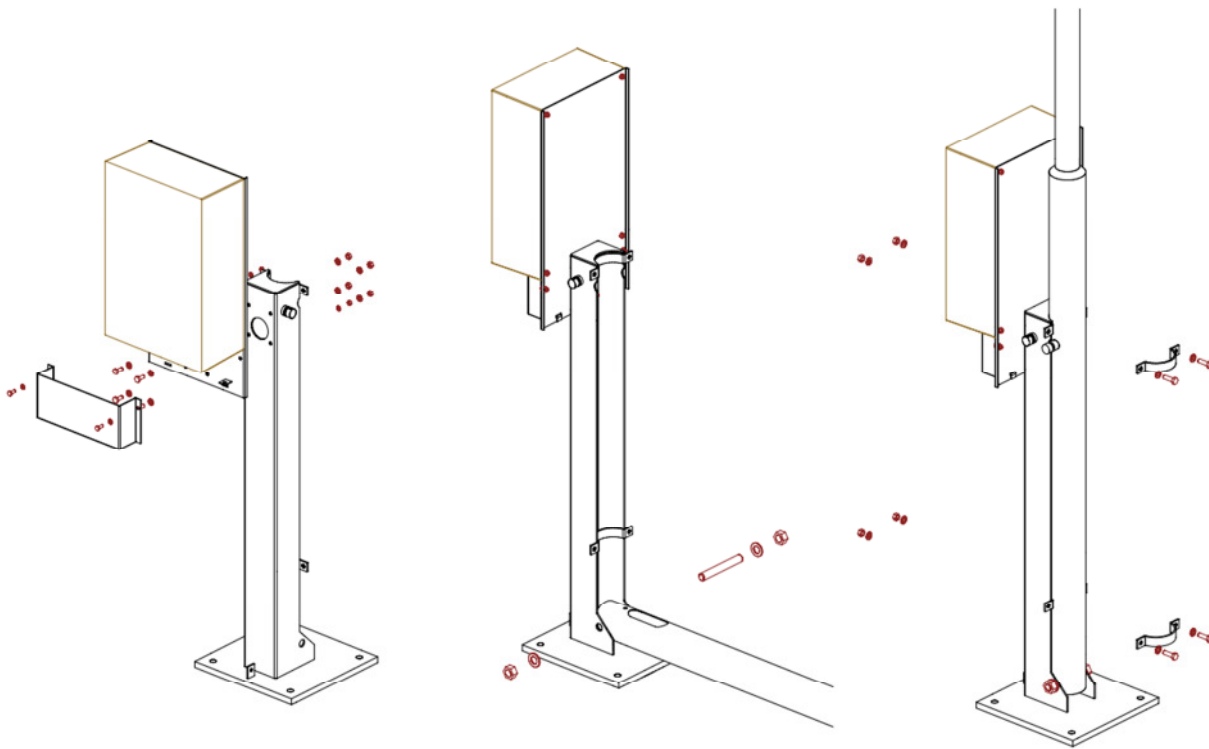


Instructions for mast installation (ref. Lufft 8357.450)



Description :

The mast is hot-dip galvanized fold-over mast. It allows an easier installation of the sensors on the top of it. Its height is 4,5 meter.

It is meant to be fixed to a concrete base. To avoid any surge of the system, the mast and mast foot will need to be properly grounded

Foundation :

The foundation needs the dimensions :

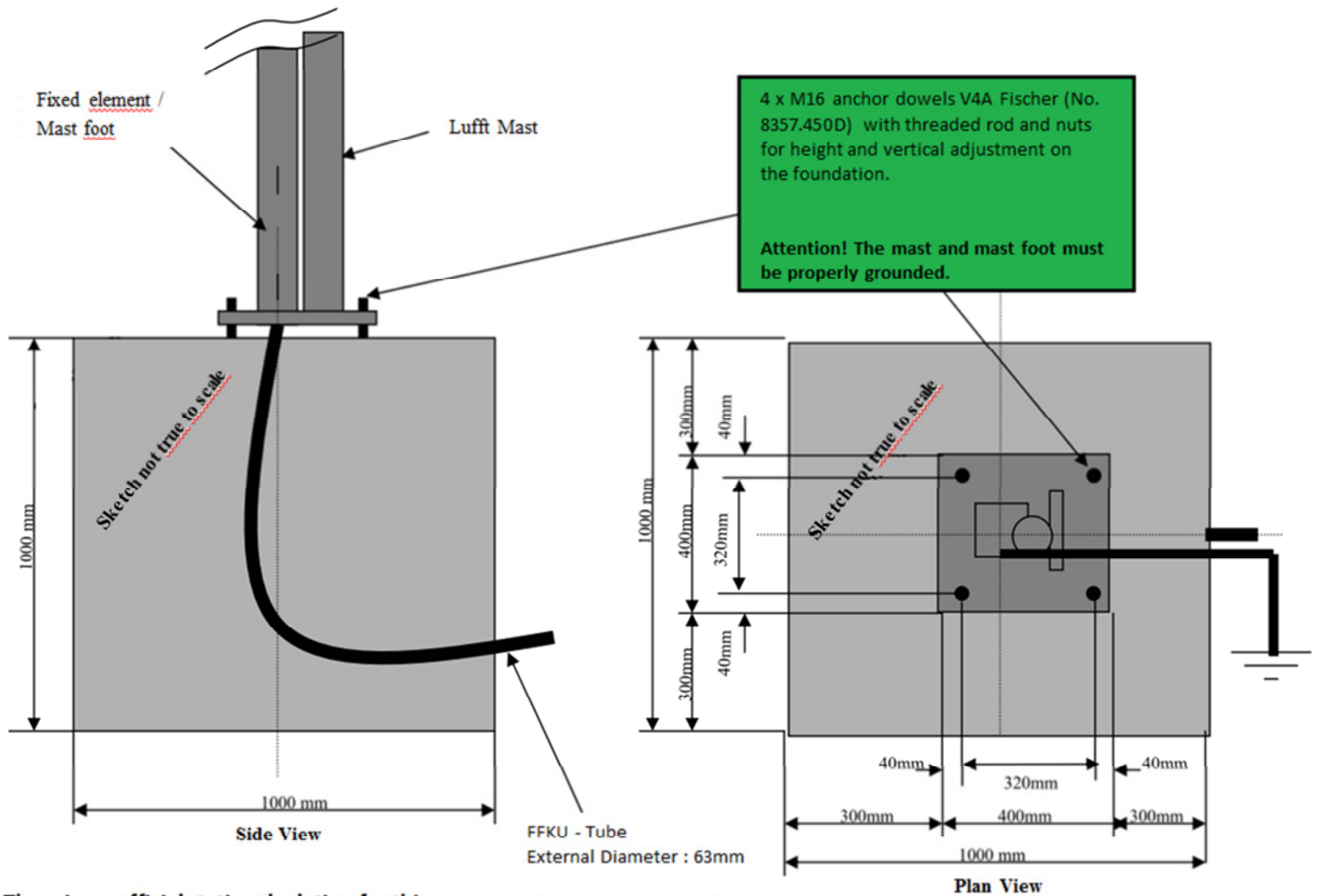
Length x width x height: 1 m x 1 m x 1 m

Concrete type : C 25/30

Reinforcement : bar 5 Ø 16 crosswise

The anchors can also be used on precast foundations without problem.

Foundation Scheme :



There is an official static calculation for this described construction !

Tube must come out of the concrete base in direction of the cable trench